

# TA

## T26J-H

### TELESCOPIC BOOM LIFT

**TA** has a complete line of engine-driven, high-capacity telescopic boom aerial work platforms, with the maximum working height ranging from 21.8 to 29.8 meters (71' 6" / 97' 9"). With a double capacity design of 450/300kg (992/661lbs), the machine can allow up to 3 people to work at the same time both indoors and outdoors, which greatly improves work efficiency.





# Diesel Telescopic Boom Lift

## SPECIFICATIONS

MODELS	T26J-H ( T85J-H )	
Measurements	Metric	Imperial
Work Height Max.	27.9m	91'6"
Platform Height Max.	25.9m	85'
Horizontal Outreach Max.	21.6m	70'10"
Platform Length	2.44m	8'
Platform Width	0.9m	2'11"
<b>A</b> Stowed Length	12.72m	41'9"
Length-Transport (jib tucked)	11m	36'1"
<b>B</b> Overall Width	2.5m	8'2"
<b>C</b> Stowed Height	2.83m	9'3"
Height-Transport	3.03m	9'11"
<b>D</b> Wheelbase	2.85m	9'4"
<b>E</b> Ground Clearance	0.43m	1'5"

### PRODUCTIVITY

Max. Platform Occupants	2 (unrestricted) / 3 (restricted)	
Platform Capacity (unrestricted)	300kg	661 lbs
Platform Capacity (restricted)	450kg	992 lbs
Turntable Rotation	360°Continuous	
Drive Speed-Stowed	4.8km/h	3mph
Drive Speed-Raised	0.8km/h	0.5mph
Gradeability	45%	45%
Max. Wind Speed	12.5m/s	28mph
Turning Radius-Inside	3.66m	12'
Turning Radius-Outside	6.55m	21'6"
Max.Slope	5°/5°	5°/5°
Tire Type	RT Foam-filled	
Tire Size	18-625	18-625

### POWER

Power	Deutz TD2.9L4 / Kubota V3307	
Fuel Tank Capacity	100L	26.4gal

### HYDRAULIC SYSTEM

Hydraulic Oil Volume	180L	47.5gal
----------------------	------	---------

### WEIGHT

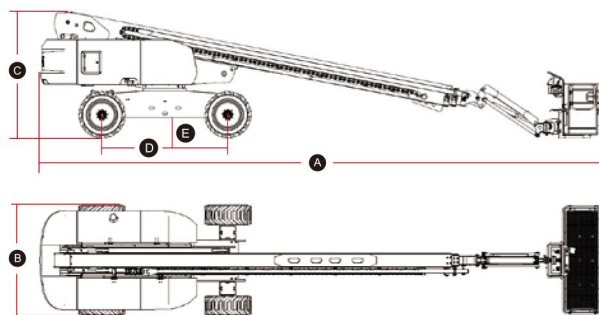
Machine Weight (CE/ANSI)	18300kg	40345 lbs
--------------------------	---------	-----------

### STANDARD FEATURES

Proportional control	Emergency stop button
Horn/Hour meter	Auto-leveling platform
Platform control cover	Anti-collision protection
Flashing beacons	Over-tilt protection system
Cylinder bellows	Overload sensing system
Platform tool box	Intelligent diagnostic system
Oscillating axle	Descent alarm with flashing beacon
Telematics connector	RT Foam-filled tires

### OPTIONAL

Telematics	Foam-filled non-marking tires
Glazier kit	Half-height mesh platform
Auxiliary rail	AC power to platform
Hydraulic generator kit	3.5kw Hydraulic generator
Hydraulic oil radiator	Biodegradable hydraulic oil
Cold weather package	



T26J-H Working Range

