

H1840

TELEHANDLER

18m
WORKING HEIGHT

4000kg
RATED LOAD

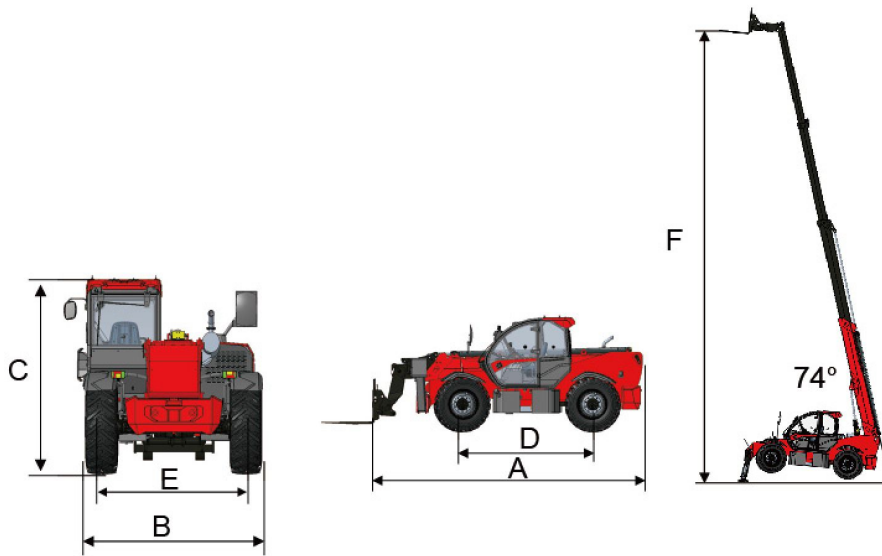
The **TA** H1840 Telehandler is the perfect choice for construction work.

The H1840 is sturdy yet manoeuvrable, with excellent performance and strong four-wheel drive capabilities. Its three steering modes and frame leveling function make the H1840 the perfect machine to tackle complex or difficult working conditions.



TA

Product Dimensions and Parameters



Machine Parameters

Measurements	Metric	Measurements	Metric	
Max. Capacity	4000kg	Drive /Steering Mode	4Wheel Drive, 4 Wheel Steer	
Overall Weight	12500kg	Forward	First Gear Travel Speed	5km/h
Max. Lifting Height	17.5m		Second Gear Travel Speed	12km/h
Max. Outreach	13.1m		Third Gear Travel Speed	20km/h
Min. Turning Radius	4.2m		Fourth Gear Travel Speed	30km/h
Gradeability-Unladen	65%	Backward	First Gear Travel Speed	5km/h
Tilt Angle	±9°		Second Gear Travel Speed	12km/h
Max. Braking Distance-Unladen	5.5 (20km/h)		Third Gear Travel Speed	20km/h
Primary Boom Ascending Time	11-17.5s	Boom Extending Time	15-22.5s	
Primary Boom DescendingTime	16-23.5s	Boom Retracting Time	11-18s	

Dimensions

Measurements	Metric	Measurements	Metric
Overall Length - A	6.28m	Wheel Track - E	1.96m
Overall Width - B	2.44m	Max. Lifting Height - F	17.5m
Overall Height - C	2.68m	Ground Clearance	0.41m
Wheelbase - D	3.07m	Standard Tyres	440/80R25

Engine

Measurements	Metric	Measurements	Metric
Power Source	Perkins engine (Nation III)	Rated Power	74.5kw

Tank Capacities

Measurements	Metric	Measurements	Metric
Hydraulic Oil Capacity	180L	Fuel Tank Capacity	150L

